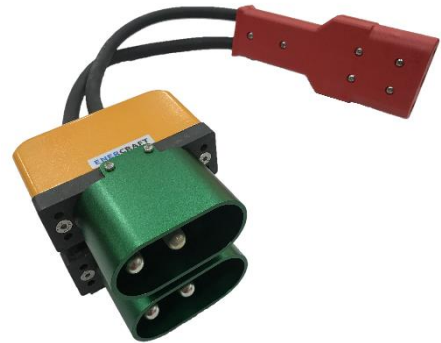


DUAL SOLUTION

Enjoy the Freedom of working without limitations

WE FIRST LISTEN TO YOU... TO THEN REDESIGN THE FUTURE

We've had several demands from different customers interested in combining the use of the ENERCRAFT's Ultra-Starters and GPUs Lite, while maintaining the convenience of having two small individual equipment. In response to these requests, ENERCRAFT is pleased to report that has fully completed the development and testing of its ingenious Dual Connector, which allows operators and service centres worldwide to have full flexibility to select the most convenient ENERCRAFT units for their fleet, and combine any of them together. This device gives complete freedom to our customers, who are now able to connect two ENERCRAFT units in parallel to perform specific maintenance or operational tasks.



- ✓ A unique Dual Connector (2 x 3 PIN NATO AN2551).
- ✓ Two separate and easily portable ENERCRAFT units.
- ✓ Use them together, or individually.
- ✓ Optimize you Ground Support Operations, minimizing costs.

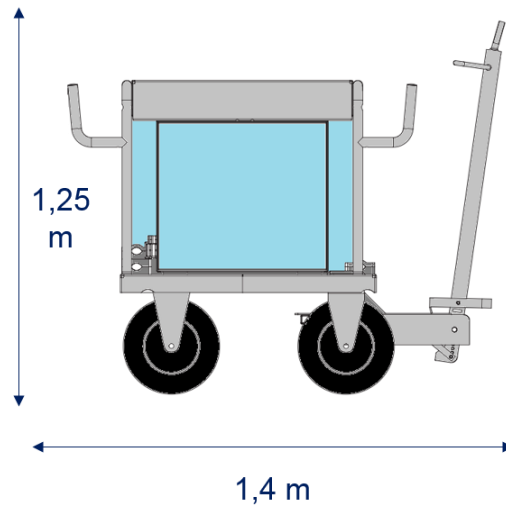
FEEL FREE TO COMBINE THEM ALL

ULTRA-STARTER 28V	UST-2030 (20 Ah)	UST-4030 (40 Ah)
Weight	13 kg	25 kg

GPU Lite 28V	35 Amp	70 Amp	130 Amp	250 Amp	500 Amp
Weight	7 kg	9 kg	10 kg	13 kg	17 kg

ENERCRAFT DUAL SOLUTION POSITIONING

Competitor



COMPETITOR	Specification	ENERCRAFT
400 - 600 Amps	DC OUTPUT	500 Amps
28V @ 2000 A	Engine Start	28V @ 2600 A
1	Units	2
NO	Can serve 2 aircraft	YES
NO	Portable on board	YES
240 Kg	Weight	25 + 17 = 42 Kg



TRY OUR DUAL SOLUTION WITH 2 x ULTRA-STARTERS

INCREASE YOUR ENGINE STARTING CAPABILITIES

Please, remember that you have full flexibility to combine any of the **ENERCRAFT** units, also two Ultra-Starters if you have a specific requirement and you need additional peak current for starting an unusually powerful engine, or to perform other operational activities, as carrying out compressor washes.



TRY OUR DUAL SOLUTION WITH 2 x GPUs Lite

INCREASE YOUR GPU CAPABILITIES

Please, remember that you have full flexibility to combine any of the **ENERCRAFT** units, also two GPUs Lite if you have a specific requirement and you need additional continuous power for your maintenance or operational tasks.



ENERCRAFT INNOVATIVE ELECTRIFICATION TECHNOLOGY S.L.
Cambados, Pontevedra – GALICIA, SPAIN / VAT: ESB02707628

©ENERCRAFT - ALL RIGHTS RESERVED
More information: www.enercraft.eu